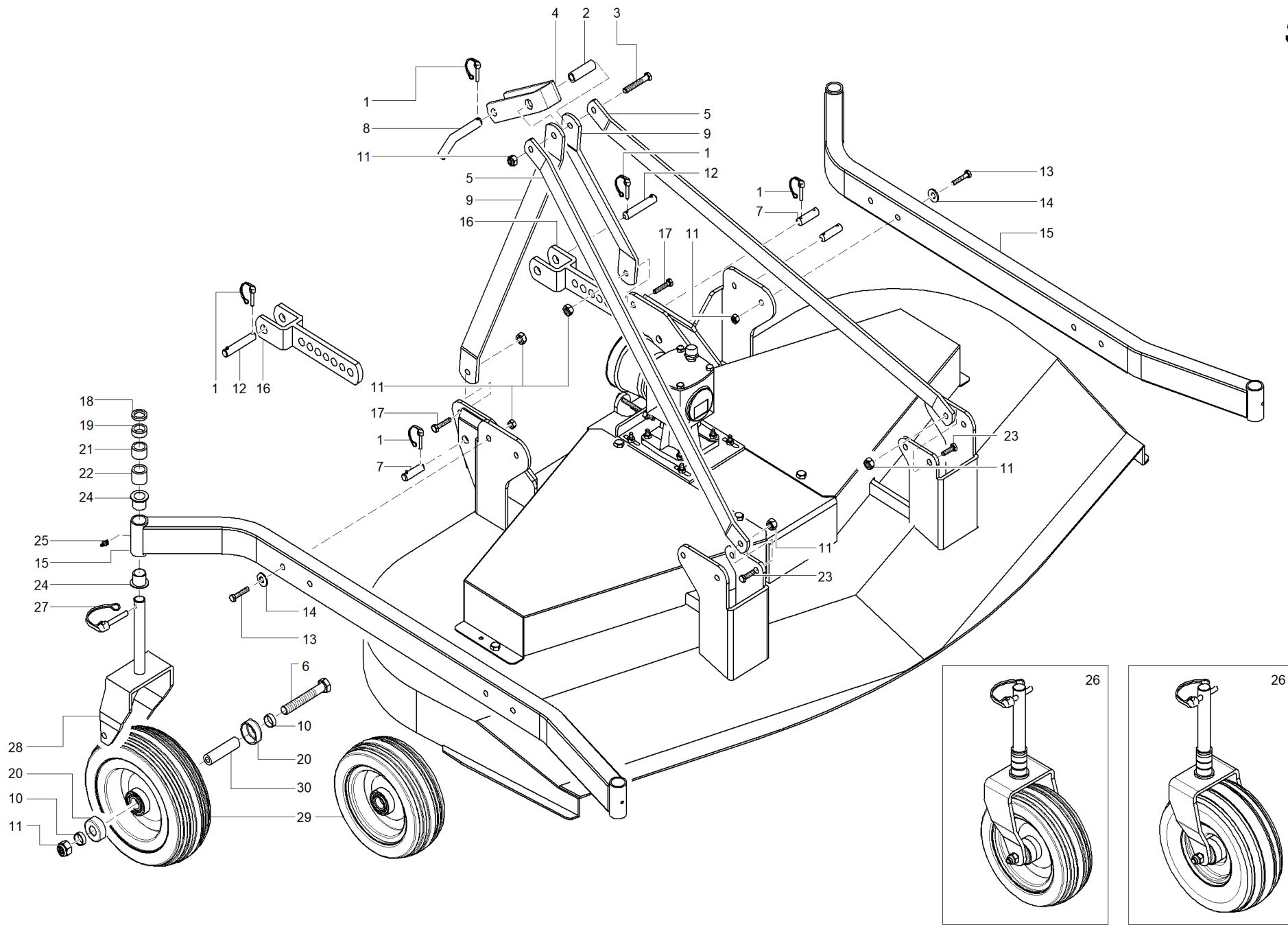


Type: MOWERS
 Model: FA2100
 Group: 01

Code: 902183007
 Revision: 05 - 10/2017
 Drowing: 01

Riferimento	Codice	Descrizione	Qt
1	3021108016	Screw M8x16 UNI 5739	4
2	3614100008	Large washer Ø8 UNI 6593	4
3	3021110020	Screw M10x20 UNI 5739	8
3	6601020	Knob M10x20	8
4	3645200012	Washer schnorr Ø12	8
5	3614100010	Large washer Ø10 UNI6593	8
6	1883510	Rear PTO guard	1
7	3464101012	Self locking nut M12 UNI 7473	10
8	80310-11	Gearbox (540 rpm clockwise)	1
9	5932707	Belt-tensioning plate	1
10	3464101010	Self loocking nut M10 UNI 7473	1
11	3474101010	Self locking nut M10 UNI 7474	4
12	5132869	Left and right. belt cover	2
13	3011112040	Screw M12x40 UNI 5737	4
14	3021110080	Screw M10x80 UNI 5739	1
15	3021112035	Screw M12x35 UNI 5739	4
16	3614100012	Large washer Ø12 UNI 6593	4
17	3096110030	Cup head aquare neck bolt with large head M12x30 UNI 5731	4
18	5932821	Support	1
19	6722360	Belt SPB 2360	2
20	3514201030	Self loking M30x1.5	3
21	5642707	Driven pulley SPB 160x1	2
22	5642705	Driving pulley SPB 212x2	2
23	3414101012	Nut M12 UNI 5587	12
24	3645200010	Washer schnorr Ø10	16
25	5132734	Waser for pulley	1
26	3625100012	Washer grower Ø12 UNI 1751	1
27	3011112040	Screw M12x40 UNI 5737	1
28	5642706	Driven pulley SPB 160x2	1
29	5002810	Support kit + blade	3
30	3021112035	Screw M12x35 UNI 5739	12
31	8110021	Front roller kit	1
32	5002802	Support	3
33	5002784	Frame	1
34	3474101012	Self-locking nut M12 UNI 7473	4
35	8180043	LONG LIFE blade support kit	3
36	6361035	Parallel key 10x8x35 UNI 6604	3
37	5202702	Shaft	3
38	5132778	Spacer	3
39	5832734	Plate	3
40	5812707	Blade 60x6	3
41	3011112045	Screw M12x45 UNI 5737	6
42	5002708	Pin	1
43	5782780	Roller	1
44	5782789	Bearing	2
45	6330814	Spring pin Ø8x14 UNI 6873	1
46	5002707	Roller support	1
47	3021110025	Screw M10x25 UNI 5739	1
48	3021112040	Screw M12x40 UNI 5739	4
49	3614100012	Large washer Ø12 UNI 6593	4
50	3625100012	Washer grower Ø12 UNI 1751	4
51	3414101012	Nut M12 UNI 5587	4
52	3625100010	Washer grower Ø10 UNI 1751	1
53	3614100010	Large washer Ø10 UNI6593	1
54	2226206	Bearing 6206 2RS	6



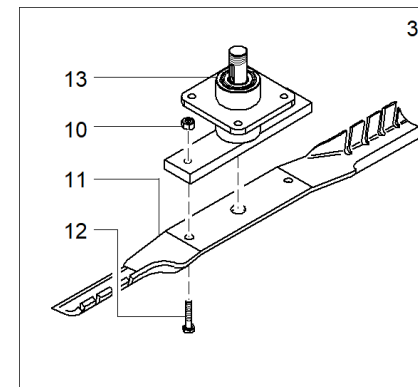
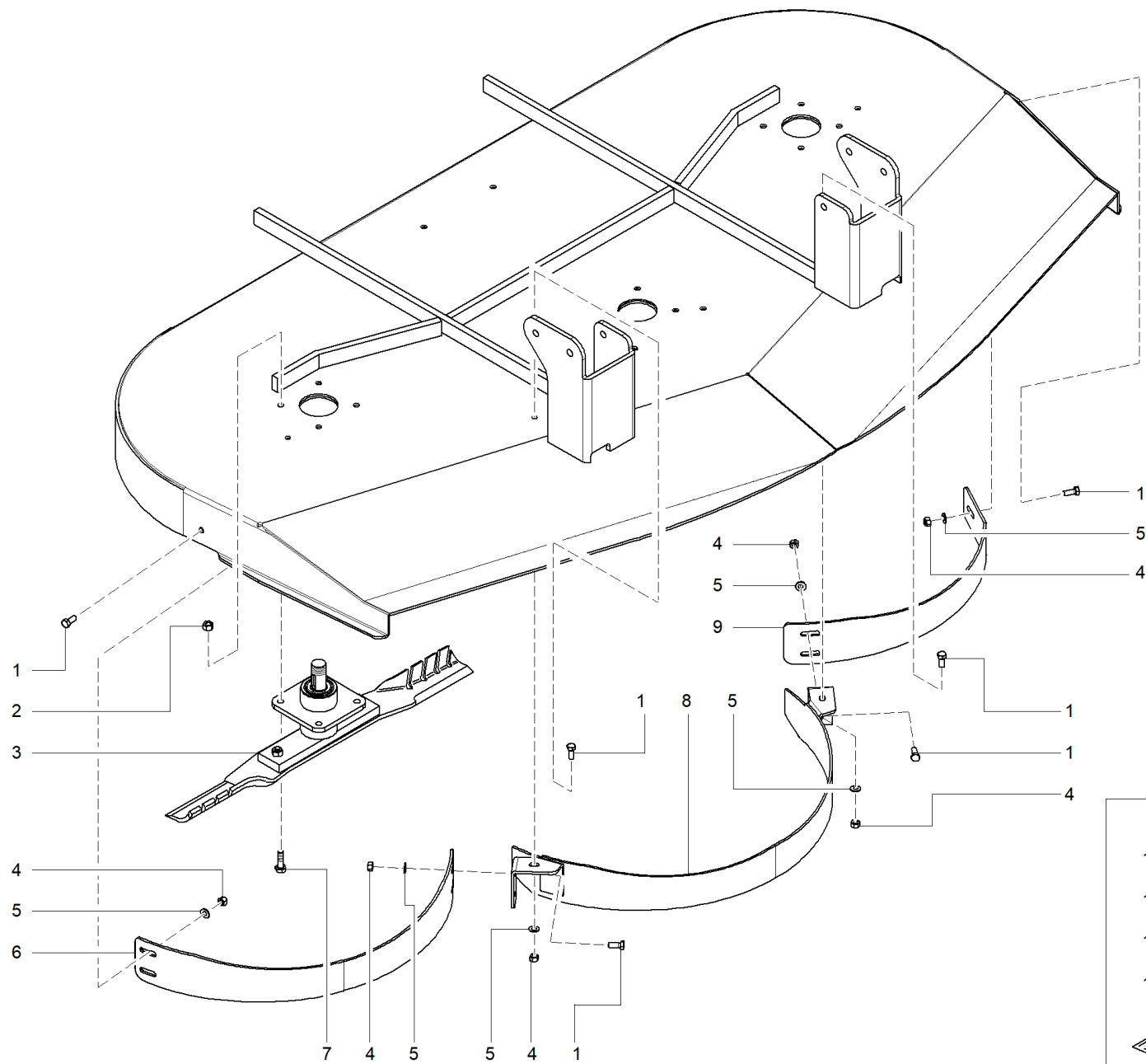
Type: MOWERS
 Model: FA2100
 Group: 02

Code: 902183007
 Revision: 05 - 10/2017
 Drowing: 02

Type: MOWERS
Model: FA2100
Group: 02

Code: 902183007
Revision: 05 - 10/2017
Drowing: 02

Riferimento	Codice	Descrizione	Qt
1	6350005	Release pin Ø5 DIN 11023	7
2	5532719	Bushing	1
3	3011114130	Screw M14x130x2 UNI 5737	1
4	5832732	Bracket	1
5	5832731	Tie rod	2
6	3011114170	Screw M14x170x2 UNI 5737	4
7	5302704	Pin for arm	4
8	4301589	Upper pin	1
9	5832730	Upper junction for 3rd point	2
10	5532716	Wheel spacer H25	8
11	3464101014	Self locking nut M14 UNI 7473	17
12	5302705	Pin 3rd lower point	2
13	3011112085	Screw M14x80 UNI 5737	8
14	3614100014	Large washer Ø14 UNI 6593	8
15	5002788	Arm	2
16	5002713	Arm, 3rd lower point	2
17	3021114040	Screw M14x40 UNI5739	2
18	5532725	Spacer 6 mm	4
19	5532724	Spacer 12.5 mm	4
20	6600066	Bearing stud/solid tire	8
21	5532722	Spacer 25 mm	4
22	5532721	Spacer 32 mm	4
23	3021114035	Screw M14x35 UNI 5739	2
24	5782791	IGLIDUR bearing	8
25	6560008	Grease nipple M8 UNI 7663 A type	4
26	5002743	Wheel kit/air tire	4
26	5002744	Wheel kit/solid tire	4
27	6332056	Split pin Ø8	4
28	5002740	Fork, ø 320	4
29	6602740	Solid wheel, RC40 310x100 P	4
29	6613506	Pneumatic wheel, 13x5.00.6	4
30	5532720	Bushing	4



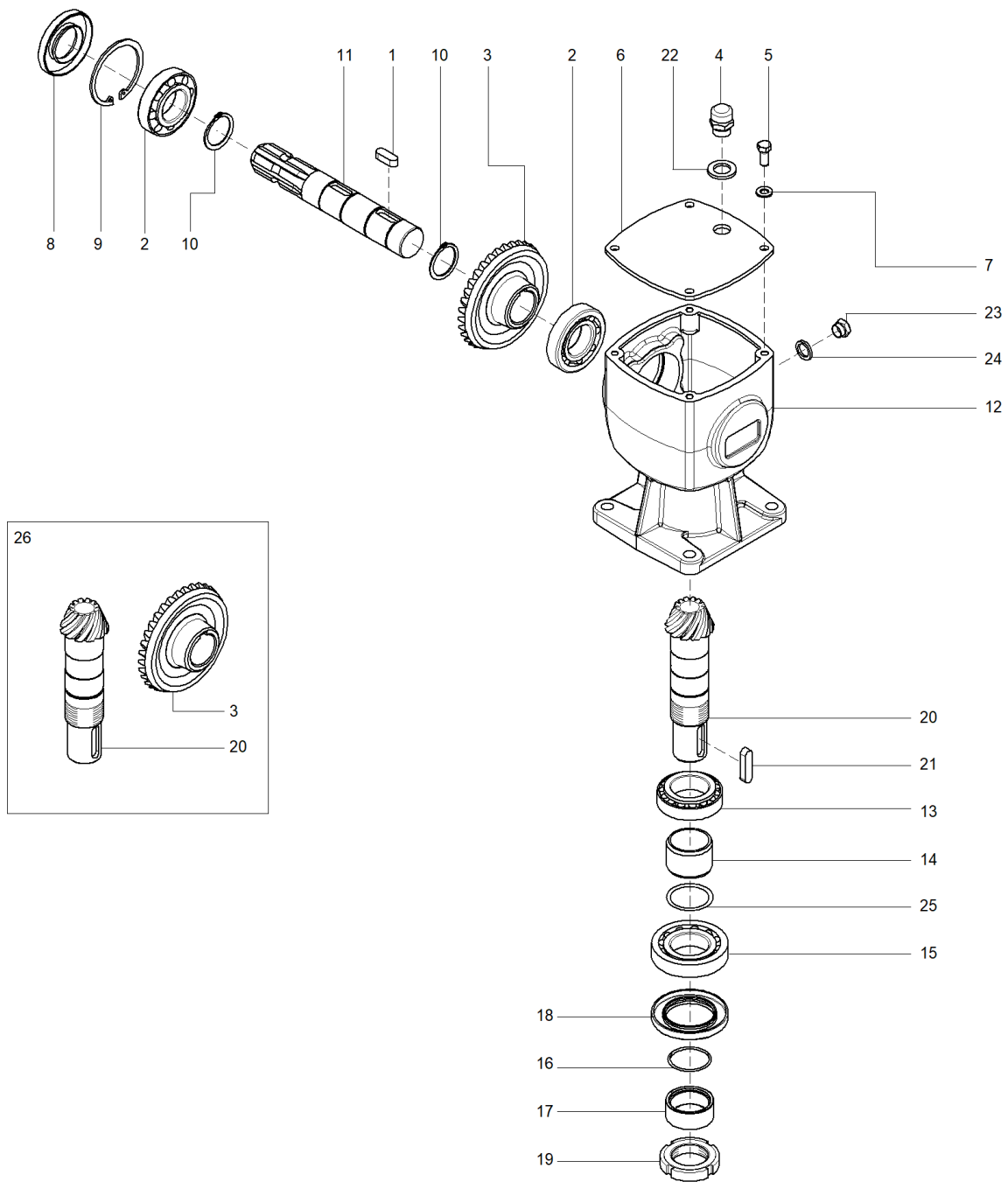
Type: MOWERS
 Model: FA2100
 Group: 03

Code: 902183007
 Revision: 05 - 10/2017
 Drowing: 03

Type: MOWERS
Model: FA2100
Group: 03

Code: 902183007
Revision: 05 - 10/2017
Drawing: 03

Riferimento	Codice	Descrizione	Qt
1	3021110025	Screw M10x25 UNI 5739	6
2	3414101012	Nut M12 UNI 5587	12
3	5012810	Long life kit blade support	3
4	3444101010	Metal self loking nut M10 DIN 980	6
5	3604100010	Washer Ø10 UNI 6592	6
6	5132627	Left sheet metal bulkhead MULCHING	1
7	3021112035	Screw M12x35 UNI 5739	12
8	5002692	Central sheet metal bulkhead MULCHING	1
9	5132628	Right sheet metal bulkhead MULCHING	1
10	3464101012	Self locking nut M12 UNI 7473	6
11	5812715	MULCHING blade	3
12	3011112045	Screw M12x45 UNI 5737	6
13	8180043	LONG LIFE blade support kit	3



Type: MOWER
 Model: FA2100
 Group: MULTIPLIER GROUP CLOCKWIS ROTATIORN 540 Rpm

Code: 902164001
 Revision: 05 - 10/2017
 Drowing: 04

Type: MOWER
Model: FA2100
Group: MULTIPLIER GROUP CLOCKWIS ROTATIORN 540 Rpm

Code: 902164001
Revision: 05 - 10/2017
Drowing: 04

Riferimento	Codice	Descrizione	Qt
1	6361030	Parallel key 10X30X8 UNI 6604	1
2	2730207	Bearing 30207	2
3	17210-04	Bevel gear Z34	1
4	3442018	Pressure relief plug M18	1
5	3021108020	Screw M8x20 UNI 5739	4
6	11310-01	Cover	1
7	3645200008	Schonrr washer Ø8	4
8	6203572	Oil seal 35x72x10 PP DIN 3760 AS type	1
9	6310072	Retaning ring for bores Ø72 UNI 7437 - DIN 472	1
10	6320035	Retaining ring for shafts Ø35 UNI 7435 - DIN 471	2
11	12010-08	Ring shaft	1
12	16510-10	over bevel gear pair	1
13	2732008	Bearing 32008	1
14	15910-02	Bearing spacer	1
15	2730208	Bearing 30208	1
16	6800129	O. ring 129	1
17	15910-03	Spacer	1
18	6205080	Oil seal 50x80x10 PP DIN 3760 AS type	1
19	3514201040	Locking nut KM M40x1.5 DIN981	1
20	17210-05	Conical pinion Z12	1
21	6361040	Parallel key 10X40X8 UNI 6604	1
22	6470118	Seal washer Ø18	1
23	3444014	Level oil plug M14	1
24	6470114	Seal washer Ø14	1
25	6014002	Spacer 40x52x0.2	2
26	80310-16	Bevel gear kits	1